

Technical specifications

Power supply for control electronics: Battery type: 3x AA mignon cells, alkaline 1.5V.  
 NiCd, NiMH or other rechargeable batteries as well as zinc-carbon or lithium batteries must not be used!  
 Temperature range:  
 Operation = +5°C to +40°C at 30% to 80% relative humidity, non-condensing.  
 Storage = -25°C to +70°C at 30% to 80% relative humidity, non-condensing.

Type designation M300 TA Electronic: MAIICBM3  
 Type designation M300 Keypad: SLIICBB2

Space for notes

Master code ....New

Master code ....New

Emergency unlocking code ....New

Emergency unlocking code ....New

Fixed code ....New

Fixed code ....New

BDA\_M300-TA\_GB\_(Rev-06)\_23-06-2014

Changing "master code"

Condition: The lock must be in the "UNLOCKED" position.

Note: If you have already changed the factory-set master code, enter your valid master code now.

Example of master code (factory setting).

Press **9 0 8 0 7 0 5 5 5 5** **E** **+** **C** Simultaneously  
 Indicator: ■ ■ ■ ■ ■ ■ ■ ■ ■ ■ ■  
 Furniture lock is in configuration mode.

Press **5 E** The system now waits for you to enter the new master code.  
 Indicator: ■ ■ (Steady red light)

Now enter the new emergency opening code carefully 2x (as described below).  
**Make sure when entering the Code that the device acknowledges each key press by a light signal.**

Example: --- New master code

Press **6 0 1 9 7 E**  
 Indicator: ■ ■ ■ ■ ■ ■ ■ ■ ■ ■ ■ ■

Repeat the procedure

Press **6 0 1 9 7 E** The code is changed when the light goes out.  
 Indicator: ■ ■ ■ ■ ■ ■ ■ ■ ■ ■ ■

If the code has been entered correctly twice, a green light signal appears. The new code is valid. In all other cases a red flashing light appears and you need to repeat the step with the old code.

Please check the new master code as soon as you have entered it.

M300 Keypad Lock



Type M300 TA Electronic: MAIICBM3  
 Type M300 Keypad: SLIICBB2

Contents

- Page 1. General and operating description, safety precautions.
- Page 2. dvce on operation and care as well as fitting dimensions.
- Page 3. Changing batteries, warning signals, fitting bolt.
- Page 4. Installing the M300 TA on door, changing keypad surround.
- Page 5. Condition on delivery and factory settings.

Basic functions

- Page 6. Unlocking and locking in "one-time code" mode.
- Page 7. Switching to "fixed personal code" mode .  
 Unlocking and locking in „fixed personal" mode.
- Page 8. Switching to "one-time code".

Extended functions

- Page 9. Changing fixed personal code by user.
- Page 10. Changing code for emergency unlocking.
- Page 11. Changing "master code".
- Page 12. Automatic locking in "fixed personal code" mode.
- Page 13. Automatic unlocking in "one-time code" mode.

Emergency functions

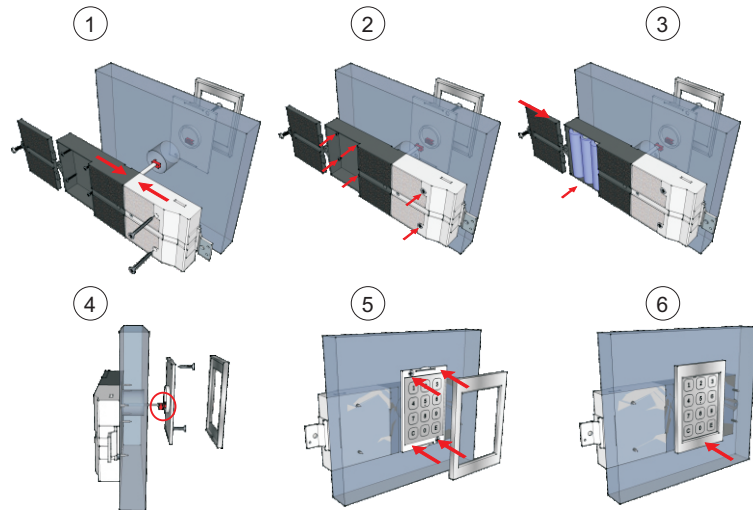
- Page 14. User of emergency unlocking and master reset.

Technical Specifications

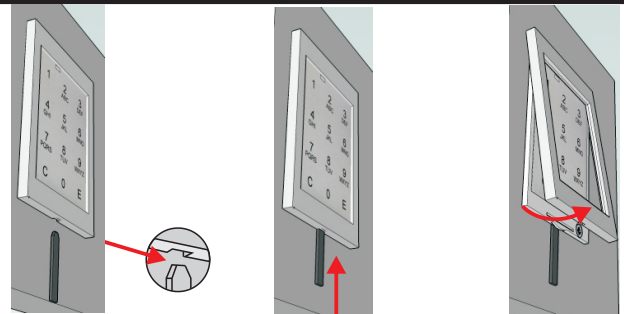
- Page 15. Pack contents, Technical Specifications, space for notes.

Installing the M300 TA

Installation on door



Changing the keypad frame



The M300 TA (keypad) electronic locking system is a furniture lock intended for indoor use in the home and in offices. Using the system in applications for which it is not intended may result in irreparable damage to it and render any warranty claims null and void. The user manual tells you how to operate the M300 TA system in the proper manner. Very easy to handle, the M300 TA system can be tailored to your specific needs.

Wording and graphics have been prepared for you with care. However, no liability will be assumed for any mistakes that may have occurred. The scope of items included by the manufacturer in the system as well as technical specifications are subject to change without notice. Copyright 2011 by LEHMANN Vertriebsgesellschaft mbH, D-32429 Minden. All rights reserved.

These instructions must not be reproduced in any way (print, photocopy, microfilm or other process) or processed, duplicated or distributed using electronic systems either in whole or in part without written consent from LEHMANN Vertriebsgesellschaft mbH.

**Operating description**

The M300 TA electronic locking system provides you with a convenient means of locking and unlocking your furniture by motor power. The system has two operating modes. Operating mode 1 allows any user to select his or her own personal code (maximum of 10 digits). In this mode, the code memory is cleared as soon as the user unlocks the cabinet again, allowing the next user to select his or her new personal code (principle of hotel safe). In operating mode 2 the lock can only be engaged and disengaged using a fixed code setting (maximum of 10 digits).

**General safety precautions**

- When changing the batteries, make sure they are inserted the right way round.
- Dispose of spent batteries in the proper manner!
- Do not heat the batteries, take them apart or short-circuit them!
- Never throw batteries into naked flames!
- The batteries must not be recharged!
- Keep the batteries out of children's reach!
- Any person swallowing batteries must seek immediate medical advice!
- Damaged and/or leaking batteries may lead to acid burns and/or poisoning!

**Condition on delivery and factory settings**

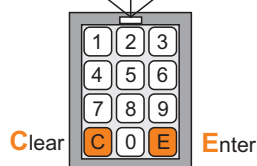
The system leaves the factory in the following state:

1. Operating state is: one-time code.
2. The lock is in the unlocked position.
3. The master code is: 9-0-8-0-7-0-5-5-5-5.
4. The emergency unlocking code is: 1-0-1-0-5.
5. Automatic locking is deactivated.
6. Automatic unlocking is deactivated.

**Take special care when operating, that each key press is acknowledged by a light signal! If there is no light signal, the input was not accepted and not valid.**

You can enter any 3 to 10-digit numerical code. Digits 0 to 9.

Illuminated indicator for operation and function



**Note:** You can cancel any process at any time using the (C) key. Any entries made will be lost.

The M300 TA system also has a bolt end-position sensor. A flashing red signal is activated if the lock bolt fails to reach its end position on locking. This signals that your furniture lock is not properly engaged.

**"Emergency opening" in one-time code mode**

**Example: --- Factory-set emergency unlocking code**

Press **1 0 1 0 5 E** The lock opens.

Indicator

The indicator on the keypad flashed green. The lock can be immediately be used again.

**"Emergency opening" in fixed personal code mode**

**Condition:** The lock must be in the "LOCKED" position.

**Note:** If you have already changed the emergency unlocking code set at the factory, enter your valid emergency unlocking code now.

**Example: --- Factory-set emergency unlocking code**

Press **1 0 1 0 5 E** The lock opens.

Indicator

The indicator on the keypad flashed red. The lock cannot be operated again until the master code has been entered and the lock reset (RESET).

**Master RESET**

**Condition:** The lock must be in the "UNLOCKED" position.

**Note:** If you have already changed the factory-set master code, enter your valid master code now.

**Example of master code (factory setting).**

Press **9 0 8 0 7 0 5 5 5 E + C** Simultaneously Furniture lock is in configuration mode.

Indicator

**WARNING! Performing a master RESET clears all programmed personal codes and settings, restoring the factory settings again.**

Press **0 E** Performing a master RESET.

Indicator

**Changing the "emergency unlocking code"**

**Condition:** The lock must be in the "UNLOCKED" position and there is no battery warning.

**Note:** If you have already changed the factory-set master code, enter your valid master code now.

**Example of master code (factory setting).**

Press **9 0 8 0 7 0 5 5 5 E + C** Simultaneously Furniture lock is in configuration mode.

Indicator

Press **4 E** System now waits for you to enter a numerical code for emergency unlocking. (Steady yellow light)

Indicator

**Note:** If you press (C) instead of entering a code, emergency unlocking will be deactivated.

Now enter the new emergency opening code carefully 2x (as described below). **Make sure when entering the Code that the device acknowledges each key press by a light signal.**

**Example: --- emergency unlocking code**

Press **1 2 3 0 0 E**

Indicator

Repeat the procedure

Press **1 2 3 0 0 E** The code is changed when the light goes out.

Indicator

If the code has been entered correctly twice, a green light signal appears. The new code is valid. In all other cases a red flashing light appears and you need to repeat the step with the old code.

**Condition:** The lock must be in the "UNLOCKED" position.

**Note:** If you have already changed the factory-set master code, enter your valid master code now.

**Example of master code (factory setting).**

Press **9 0 8 0 7 0 5 5 5 5** **E** **C** Simultaneously  
 Indicator

Furniture lock is in configuration mode.

Press **6** **E**  
 Indicator

Automatic unlocking is activated. System now waits for you to select a time delay. (Steady red light)

Select the time delay you want the furniture lock to **engage** automatically after.

**Selecting times**

Press	<b>0</b> <b>E</b>	Automatic unlocking will be deactivated	
	<b>1</b> <b>E</b>	after 5 minutes	
	<b>2</b> <b>E</b>	after 15 minutes	
	<b>3</b> <b>E</b>	after 30 minutes	
	<b>4</b> <b>E</b>	after 1 hour	
	<b>5</b> <b>E</b>	after 6 hours	
	<b>6</b> <b>E</b>	after 12 hours	
	<b>7</b> <b>E</b>	after 24 hours	
	<b>8</b> <b>E</b>	after 48 hours	
	<b>9</b> <b>E</b>	after 7 days	

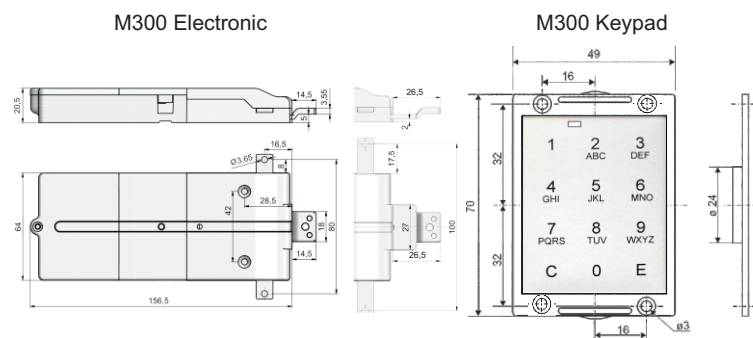
- Protect all of the system's components from moisture.
- Clean the system with a clean, soft, damp cloth only.
- Do not use any aggressive cleaning products containing abrasives or solvents. Glass cleaner, thinner, alcohol, petrol or liquids containing ammonia are not suitable for cleaning this system.
- Treating any of the electronic and mechanical components improperly or in a way other than described in this user manual may lead to malfunctions.
- Change the batteries in good time. At the latest, however, when the visual low-battery warning lights up on the keypad.

**Installation and assembly**

The points below explain the installation procedure and must be followed when fitting the system to furniture. Only install the system in its unlocked state. Please refer to the fitting instructions from the manufacturer of your furniture for the correct way to attach the M300 TA system to your furniture. Perform all programming processes and function checks with the cabinet door open. This makes sure you are left with access to all system components in the event of a malfunction.

**Note:**

Our locks and locking systems can basically be used together with mechanisms made by other manufacturers, but their compatibility must be checked by the processor in each individual case. We cannot accept any liability for damage or losses due to incompatibility.



**Condition:** The lock must be in the "UNLOCKED" position.

**Note:** If you have already changed the fixed code set at the factory for users, enter your valid code now.

**Using the example with the factory-set fixed code:**

Press **1 2 3** **E** **C** Simultaneously  
 Indicator:

System now waits for you to enter a new numerical code for further use. (Steady yellow light)

**Enter your new code.**

**Example:**  
 Press **1 2 3 4 5** **E**  
 Indicator:

The new code is activated.

**After successfully changing the code, check for proper working order with cabinet door open:**

**Lock**  
 Press **1 2 3 4 5** **E** Furniture lock engages.

Indicator:

**Unlock**  
 Press once again **1 2 3 4 5** **E** Furniture lock disengages.

Indicator:

The process is complete if the furniture lock responds in the way you want it to. The old code has been overwritten with the new one.

**Condition:** The lock must be in the "UNLOCKED" position.

You can enter any 3 to 10-digit numerical code. Digits 0 to 9.

**Note:** You can cancel any process at any time using the **C** key. Any entries already made will be lost.

**Example: --- Lock**

Press: **1 4 5 6** **E** Furniture lock engages.

Indicator:

**Example: --- Unlock.**

Press once again **1 4 5 6** **E** Furniture lock disengages.

Indicator:

**Unlocking clears the code previously entered. The lock can now be re-engaged using any chosen code.**

Changing batteries

Undo screw.  
Open lid on battery compartment

Changing batteries.  
Make sure they are fitted the right way round.  
Close lid on battery compartment.  
Screw in fastening screw.

Battery type:  
3 x LR6,  
AA, alkaline

**ATTENTION:** NiCd, NiMH or other rechargeable batteries as well as zinc-carbon or lithium batteries must not be used.

Electronics battery warning

The M300 TA provides you with several low-battery warning stages (see table below).

Warning stage	Furniture lock indicator	Meaning	Effect
Stage 1	Red LED indicator briefly flashes twice in succession at regular intervals.	Battery voltage is low . Batteries should soon be changed.	Normal operation is still given.
Stage 2	Red LED indicator briefly flashes three times in succession at regular intervals.	Battery voltage has run out. Batteries must be changed.	The lock now only performs the "UNLOCK" command whenever a code is entered.

**Condition:** The lock must be in the "UNLOCKED" position.

**Note:** If you have already changed the factory-set master code, enter your valid master code now.

**Example of master code (factory setting).**

Press: 9 0 8 0 7 0 5 5 5 5 Simultaneously  
Indicator: Furniture lock is in configuration mode.

Press: Automatic locking is activated.  
Indicator: System now waits for you to select a time delay. (Steady red light)

Select the time delay you want the furniture lock to engage automatically after.

Selecting times

- Press Automatic locking will be deactivated
- after 10 seconds
- after 30 seconds
- after 1 minute
- after 5 minutes
- after 15 minutes
- after 1 hour
- after 6 hours
- after 12 hours
- after 24 hours

Switching to "fixed personal code" mode

**Condition:** The lock must be in the "UNLOCKED" position.

**Note:** If you have already changed the factory-set master code, enter your valid master code now.

**Example of master code (factory setting).**

Press: 9 0 8 0 7 0 5 5 5 5 Simultaneously  
Indicator: Furniture lock is in configuration mode.

Press: Fixed code is activated.  
Indicator: **Note:**  
Green signal flashing once means that the "fixed code" function was already activated and still is.  
Yellow signal flashing 6 times means that the "fixed code" function is now activated and the system is waiting for you to enter a new fixed code. If you cancel at this point , code 1-2-3 will be valid.

**Now immediately enter your new personal fixed code.**

**Example:**  
Press: The programming process is completed when the indicator goes out.  
Indicator:

**Lock**  
Press: Furniture lock disengages.   
Indicator:

**Unlock**  
Press once again: Furniture lock disengages.   
Indicator:

Changing to "one-time code" mode

**Condition:** The lock must be in the "UNLOCKED" position.

**Note:** If you have already changed the factory-set master code, enter your valid master code now.

**Example of master code (factory setting).**

Press: 9 0 8 0 7 0 5 5 5 5 Simultaneously  
Indicator: Furniture lock is in configuration mode. (Steady green light)

Press: User-selected code is activated.  
Indicator: **Note:**  
Green signal flashing once means that the "user-selected code" function was already activated.  
 Yellow signal flashing 6 times means that the "user-selected code" function is now activated.  
 The programming process is completed when the indicator goes out.

After successfully switching over to "user-selected code", you can operate the lock using any code of your choice. See Section: Operating with user-selected code.